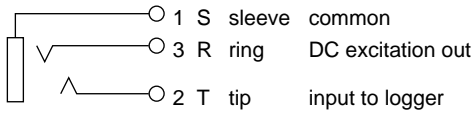
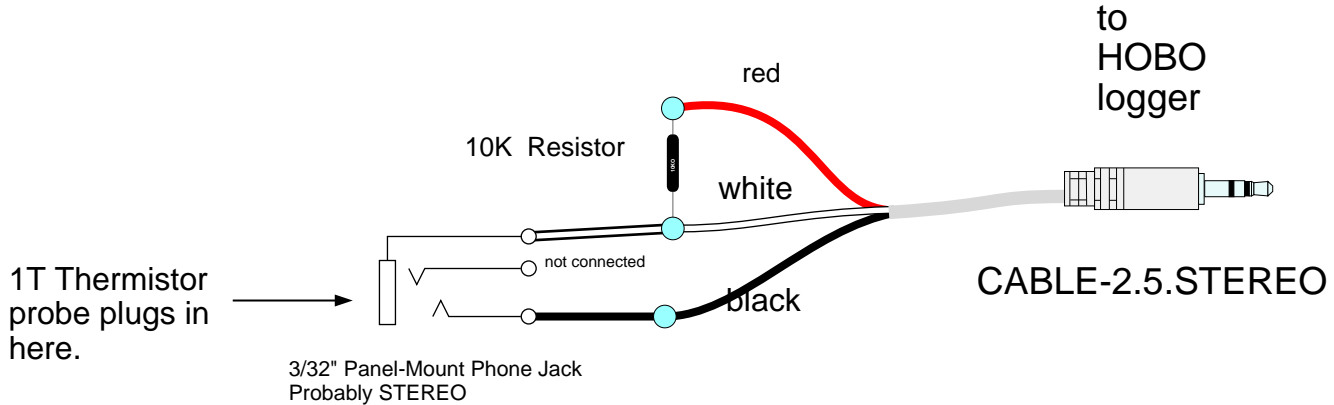
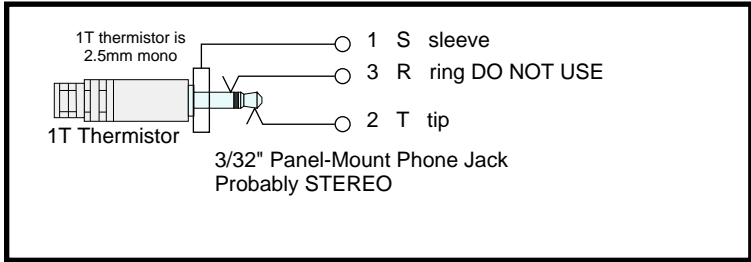


JACK



The ring terminal is a DC output from the logger and is connected directly to the loggers 2.5V voltage regulator.



3/32" Panel-Mount Phone Jack (2-Pack)

<http://www.radioshack.com/product/index.jsp?productId=2103450>