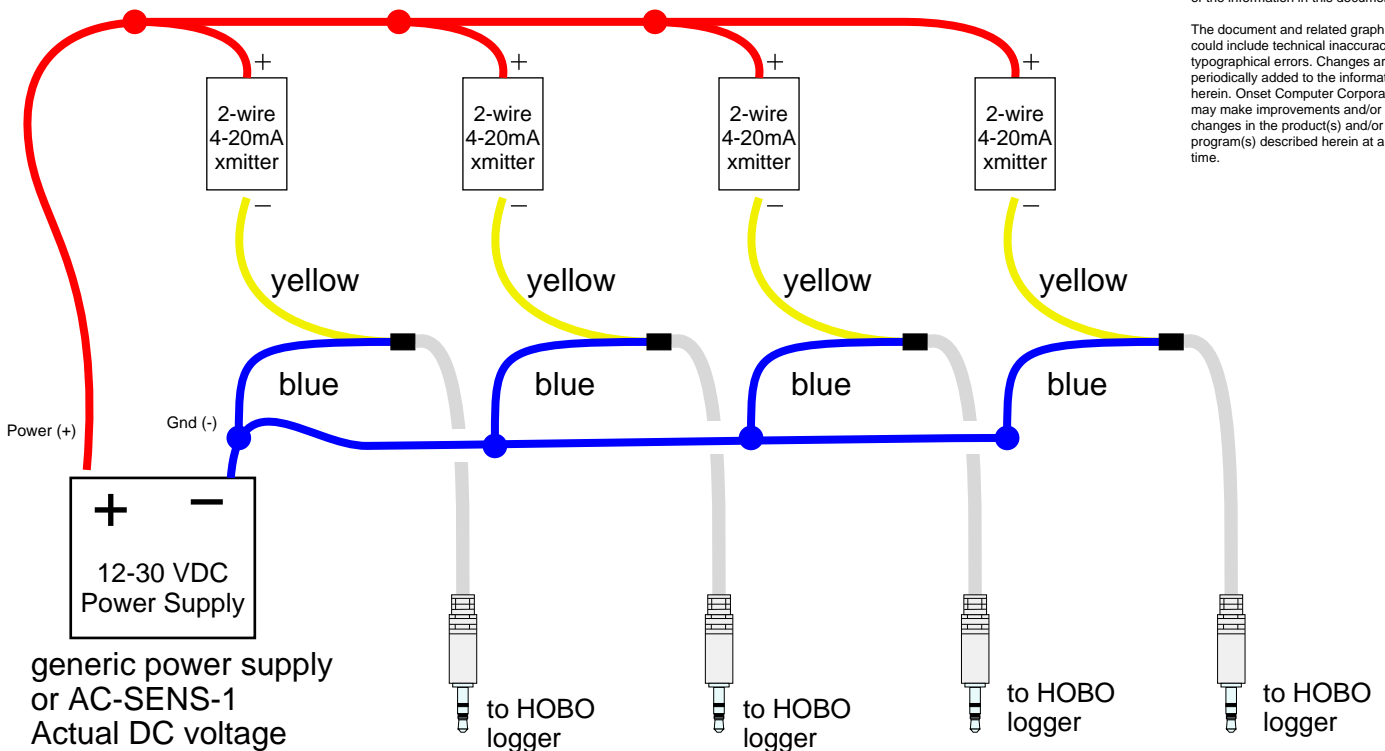


DC excitation supply from **AC-SENS-1** ac power adapter shown, generic OK also.

<http://www.onsetcomp.com/products/adapters/ac-sens-1>

Typical wiring for ZW, U12, (or H08) logger 4-20mA multiple transmitters to single-ended HOBO logger inputs using CABLE-4-20MA.



Disclaimer:
Onset Computer Corporation makes no representations about the suitability of the information contained in this document and related graphics for any purpose. This document and related graphics are provided "as is" without warranty of any kind. Onset Computer Corporation hereby disclaims all warranties and conditions with regard to this information, including all implied warranties and conditions of merchantability, fitness for a particular purpose and non-infringement. In no event shall Onset Computer Corporation be liable for any special, indirect or consequential damages or any damages whatsoever resulting from loss of use, data or profits, whether in an action of contract, negligence or other tortious action, arising out of or in connection with the use or performance of the information in this document.

The document and related graphics could include technical inaccuracies or typographical errors. Changes are periodically added to the information herein. Onset Computer Corporation may make improvements and/or changes in the product(s) and/or the program(s) described herein at any time.

generic power supply or AC-SENS-1 Actual DC voltage requirement dependent upon transmitter specification requirement.

CABLE-4-20MA

<http://www.onsetcomp.com/products/cables/cable-4-20ma>