

## Well Cap Installation Instructions (WELL-CAP-02)

For use with a HOBO<sup>®</sup> MicroRX Water Level Station (RX2103 or RX2104), Water Level Sensor Module (RXMOD-W1), or MX800 Logger

### Before you Begin

Follow these instructions *before* deploying the water level sensor or MX800 logger in a well. If the sensor or logger has already been installed in a well, remove it before continuing.

You can use these well caps in 2" wells to:

- Route Onset water level sensor cables from MicroRX stations, water level sensor modules, HOBOnet water level, or MX2001 loggers, and sensor cables from MX800 series loggers.
- Suspend MX800 loggers.

### Attaching the Well Cap to a Well

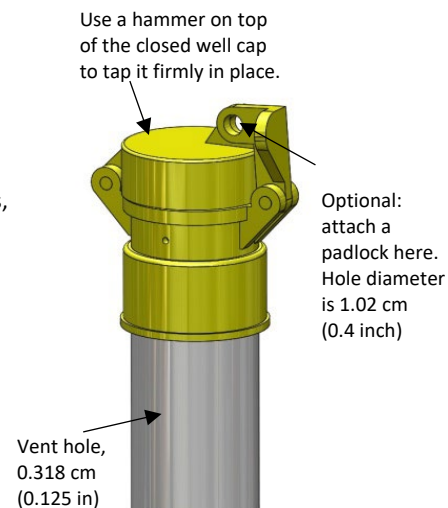
You can install this cap on a standard 5 cm (2 inch) pipe, metal or PVC, without glue as shown to the right. It also fits on most threaded 5 cm (2 inch) pipes. If the cap is too loose once installed on a threaded pipe, add a small piece of connector pipe that has both a threaded end and a smooth end. Attach the threaded end of the connector pipe to the threaded end of the original pipe, leaving the smooth end of the connector pipe at the top to attach the well cap. As an alternative to a connector pipe, you can add duct tape around the threaded portion so that the cap is snug when placed on the pipe.

Place the closed well cap on the end of the well. Use a hammer or mallet to tap the well cap firmly in place. Attach a padlock to the latch if desired.

### Installing the Sensor or logger in the Well Cap

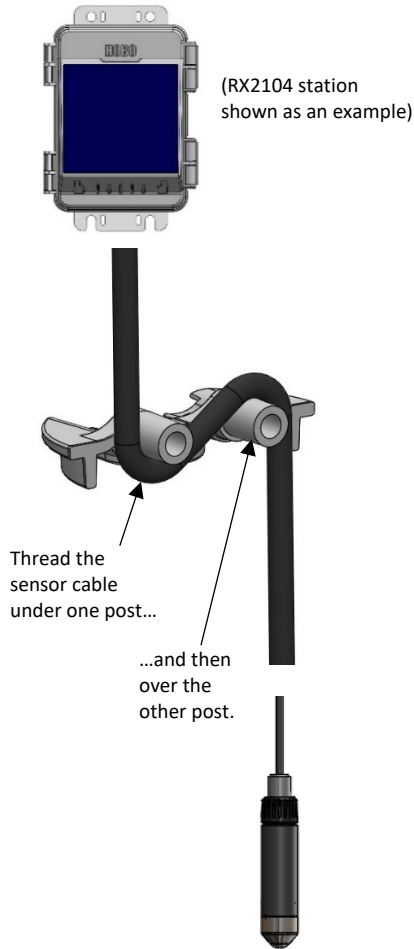
There are two ways to use the well cap. Choose the one that works for you.

- [Suspending a Sensor in a Well Using a Cable](#)
- [Suspending an MX800 Logger at the Top of a Well](#)

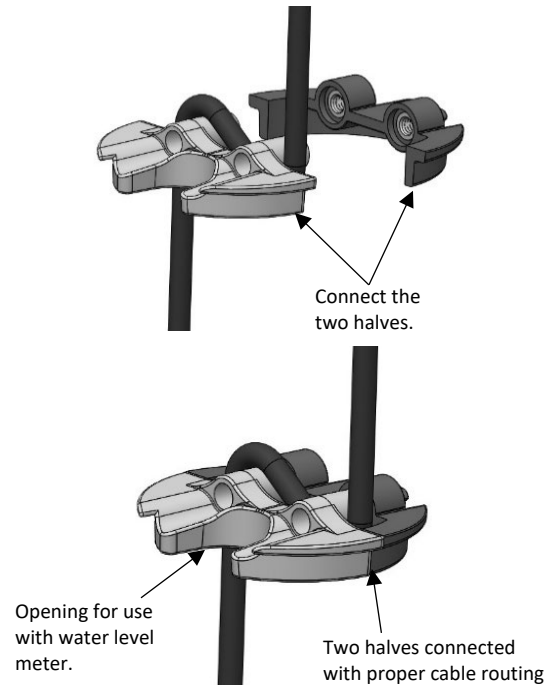


## Suspending a Sensor in a Well Using a Cable

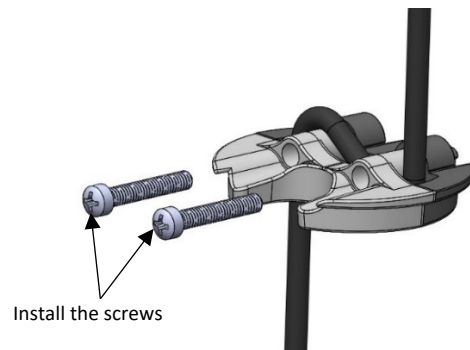
1. Using the half of the disk with posts, thread the sensor cable under one post and over the other post as shown below. The station and sensor are shown as reference for proper cable routing around the posts. Adjust the positioning of the cable as necessary to ensure there is enough length to reach the mounted station outside the well while deploying the sensor to the desired depth inside the well.



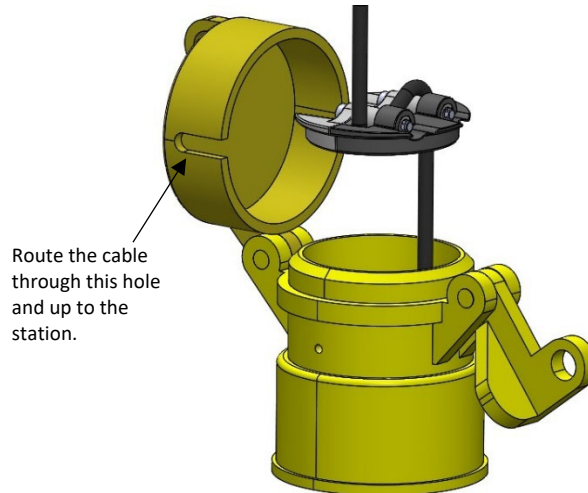
2. Insert the posts (with the cable routed as shown) into the receptacles in the other half, forming one disk when connected.



3. Insert the two screws through the posts and use a Phillips-head screwdriver to screw them into place.



- 
- Place the disk with the sensor attached into the well cap. Route the other end of the cable through the hole on the side of the well cap lid. When the well cap is open, use the opening in the disk (shown in step 2) to take a reference water level measurement with a water level meter while the sensor is in position.

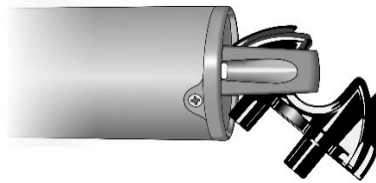


- Close the well cap. Use a padlock to restrict access to the well if desired.

### Suspending an MX800 Logger at the Top of a Well

To mount the MX800 logger at the top of a well using the WELL-CAP-02:

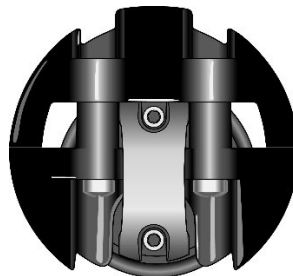
- Slide the half of the disk with the posts through the mounting loop of the logger as shown.



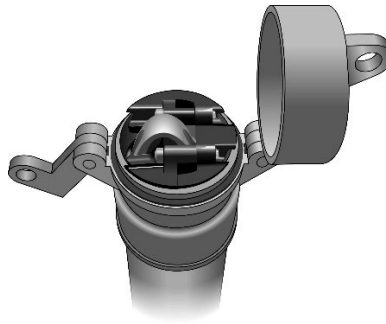
- Flatten the disk half on the logger so that its posts are on top as shown.



- Connect the two halves. Insert the two screws through the posts and tighten the screws using a Phillips head screwdriver.



- Feed the sensor, cable, and logger into the well, until the disk is sitting on the top of the well cap.



5. To take a reference water level measurement in the well, pull the disk up enough to get the meter probe into the well. Enter that reference reading for the time closest to when the sensor was in position (i.e., the mounting disk was sitting on the top of the well cap.)