

InTemp®

Monitoring Solutions

CX500 Series

Advantages

- Fully-integrated solution for temperature-sensitive logistics
- Reduces temperature excursions and handling errors
- Loggers integrate with mobile and cloud platforms for a 21CFR Part 11 compliant solution
- Fast, remote data transfer, ideal for clinical logistics
- Eliminates need to open sealed containers to retrieve data
- Shortens logger-handling times; no PC or cables required
- Ensures secure data via encrypted technology
- Meets GDP requirements for NIST traceable calibration



InTemp CX500 Monitoring Solution

Reduce excursions while optimizing temperature-sensitive logistics

The new InTemp CX500 monitoring solution simplifies GDP compliance and distribution of temperature-sensitive products for global life sciences companies. Together, the InTemp data logger, mobile app, and cloud-based data warehousing service offer a seamless temperature monitoring solution, providing visibility into the pharmaceutical supply chain in ways traditional data loggers cannot.

The CX500 communicates wirelessly via Bluetooth Low Energy to the InTemp app on a mobile device, reducing setup and readout times and enabling logistics and quality personnel to access temperature data without ever opening a box. With a quick tap of a button, operators can document trips and obtain actionable information, enabling more proactive product-handling decisions across the pharmaceutical transit path.

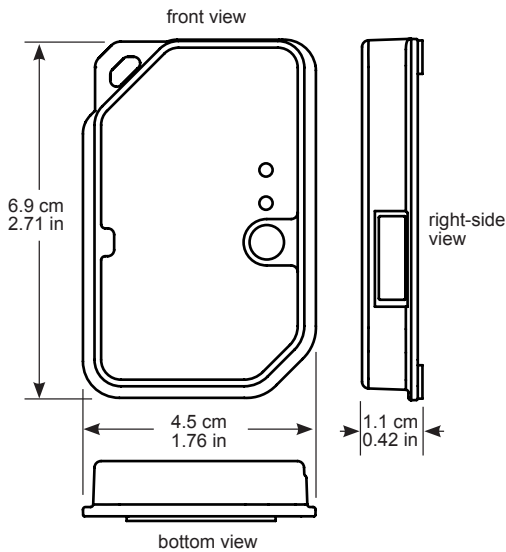
The InTemp mobile app syncs easily with the InTempConnect cloud-based service, which provides command-center control over the supply chain. This fully-integrated solution ensures secure electronic records and a reduced paper trail, simplifying the process of passing regulatory audits and prioritizing quality delivery of goods.

Models are available for short- and long-duration transport of traditional cold chain products, CRT, and frozen shipments.

ONSET®

Technical Specifications

Part Number	CX502	CX503
Logger Type	Single use	Multiple use
Logging Duration	90 Day	Up to 1 Year
Logger Memory	14,000 data points	14,000 data points
Logger Shelf Life	Up to 1 year shelf life	
Temperature Range	Range: -30°C to 70°C Accuracy: ±0.5°C from -5°C to 50°C ±1.0°C from -30°C to -5°C ±1.0°C from 50°C to 70°C	
Calibration	3 point NIST traceable calibration included	
Bluetooth Compatibility	Wireless protocol: Bluetooth Low Energy, Bluetooth Smart, 4.0 transmission range: 30.48 m (100 ft) line-of-sight	
Alarms	Visual LED and advanced alarm view via mobile application	
Certifications	IP 67, CE, FCC	
Software Compliance	InTemp mobile app and InTempConnect.com are built to comply to 21 CFR Part 11 guidelines	
Mobile Software	InTemp app: free download from iTunes App Store or Google Play Store	



Contact

(U.S. and International) 1-508-759-9500
 (U.S. only) 1-800-564-4377
www.onsetcomp.com/intemp/contact/sales

ONSET®

Onset Computer Corporation
 470 MacArthur Boulevard
 Bourne, MA 02532