

External Grounding Wire Adapter Cable (Part # CABLE-HWS-G)

Use the External Grounding Wire Adapter Cable to electrically ground the HOBO® Micro Station logger. The

grounding wire is required if you will be using a wind speed or wind speed and direction sensor with the logger or if the logger will be placed in an exposed location on a tripod or tower.

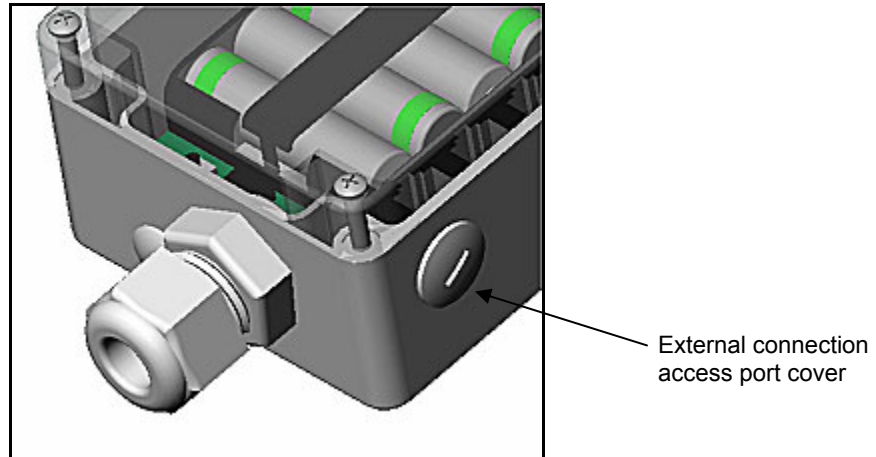


Tools required

- Small coin or slotted screwdriver
- Phillips-head screwdriver
- Crescent wrench

Installation

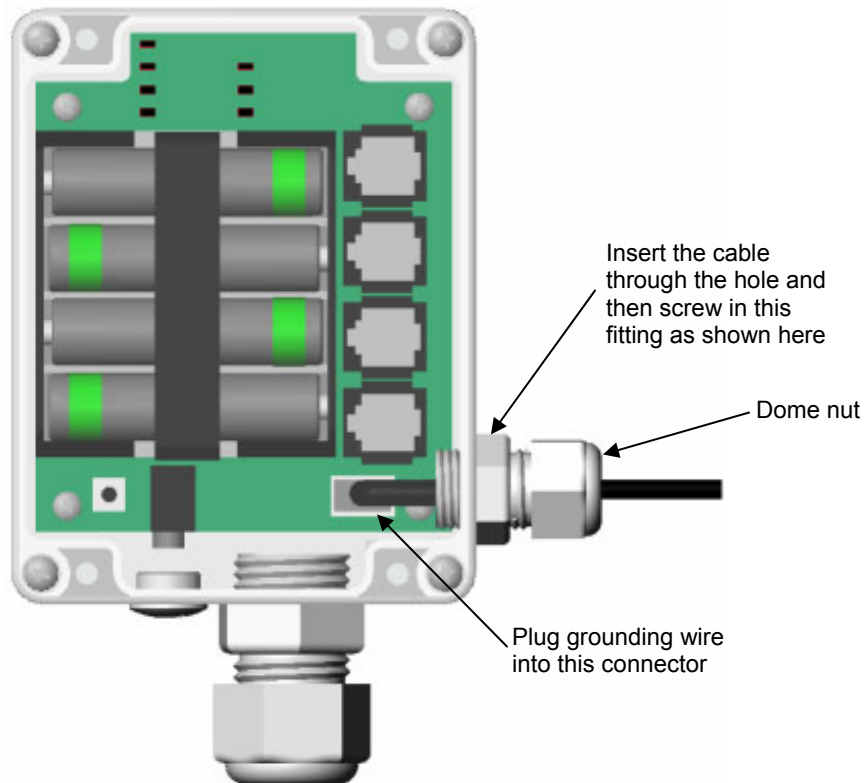
1. Use a slotted screwdriver or small coin to unscrew the external connection access port cover.



2. Insert the cable through the external connection access port. Screw in the fitting to seal the hole. Hand-tighten the fitting and then tighten an additional $\frac{1}{2}$ to $\frac{3}{4}$ turn with a crescent wrench.

Grounding Wire

3. Plug the cable into the connector. Note that the cable can fit into the connector in one direction only. Hand-tighten the dome nut and then tighten an additional $\frac{1}{2}$ turn with a crescent wrench.



4. Connect the grounding wire to a clamp on the mast or tripod.
5. Screw the cover back on the logger.

Refer to the *HOBO Micro Station User's Guide* for additional Micro Station setup information. For support with this product, contact the place of purchase: Onset Computer Corporation at 1-800-LOGGERS (1-800-564-4377) or an Authorized Onset Dealer. See also onsetcomp.com or hobohelp.com.

© 2003 Onset Computer Corporation. All rights reserved.
Onset and HOBO are registered trademarks of Onset Computer Corporation.

Part #: MAN-CAB-HWSG
Document #: 7788-A