

External Communications Port Adapter Cable (Part # CABLE-HWS-F)

Use the External Communications Port Adapter Cable to connect the HOBO® Micro Station logger to the



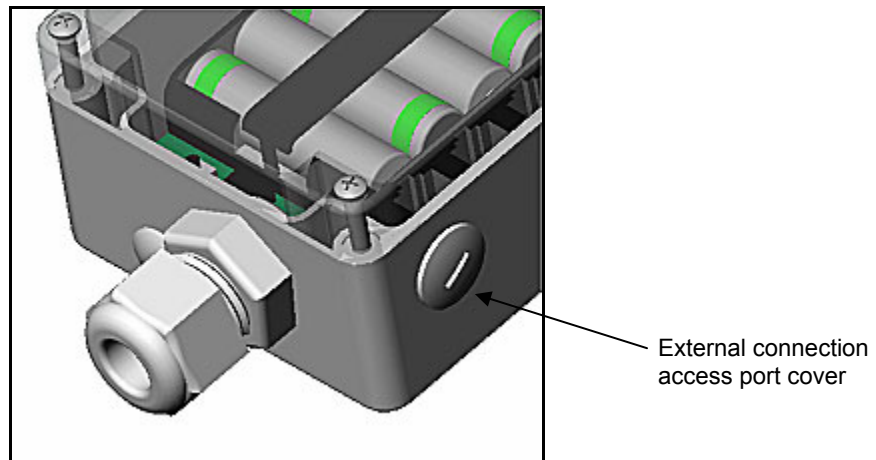
Remote Modem or to a serial extension cable. This cable includes a grounding wire, which is required if you will be using a wind speed or wind speed and direction sensor or if the logger will be placed in an exposed location on a tripod or tower.

Tools required

- Small coin or slotted screwdriver
- Phillips-head screwdriver
- Crescent wrench

Installation

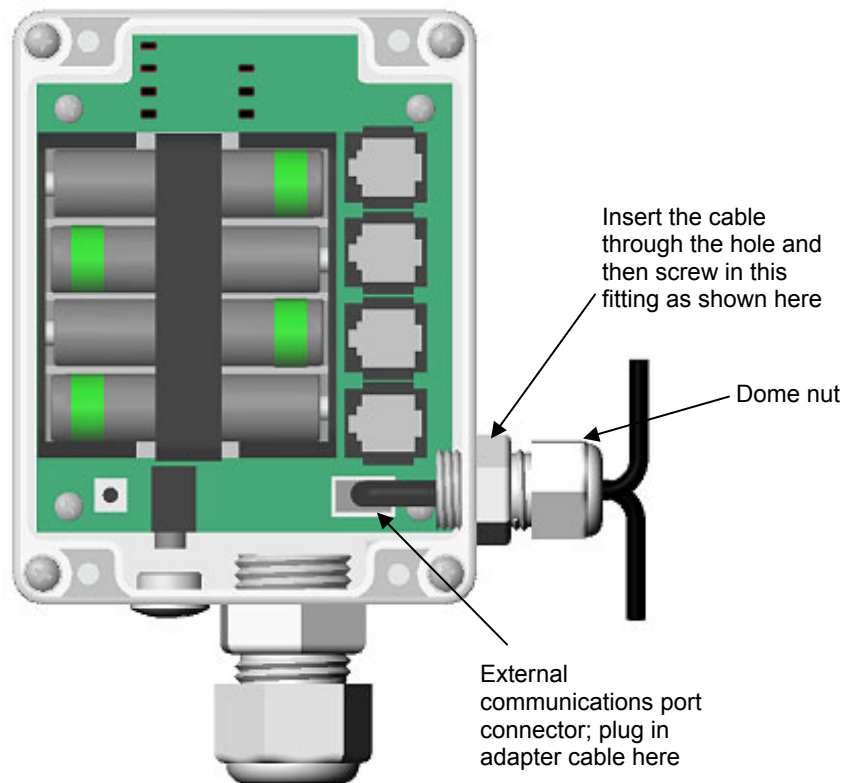
1. Use a slotted screwdriver or small coin to unscrew the external connection access port cover.



2. Insert the cable through the external connection access port. Screw in the fitting to seal the hole. Hand-tighten the fitting and then tighten an additional $\frac{1}{2}$ to $\frac{3}{4}$ turn with a crescent wrench.

External Communications Adapter Cable

3. Plug the cable into the connector. Note that the cable can fit into the connector in one direction only. Hand-tighten the dome nut and then tighten an additional $\frac{1}{2}$ turn with a crescent wrench.



4. Connect the communications end of the cable to the Remote Modem or a serial cable.
5. Connect the grounding wire to a clamp on the mast or tripod.
6. Screw the cover back on the logger.

Refer to the *HOBO Micro Station User's Guide* for additional Micro Station setup information. Refer to the *HOBO Remote Modem User's Guide* for details on the Remote Modem. For support with this product, contact the place of purchase: Onset Computer Corporation at 1-800-LOGGERS (1-800-564-4377) or an Authorized Onset Dealer. See also onsetcomp.com or hobohelp.com.

© 2003 Onset Computer Corporation. All rights reserved.
Onset and HOBO are registered trademarks of Onset Computer Corporation.

Part #: MAN-CAB-HWSF
Document #: 7776-A