

# Veris Differential Pressure Transducer Connection Instructions

For use with HOBO® H22, U12, U30, UX120-006M, and RX3000 data loggers and HOBO ZW data nodes

## Applies to these Veris Differential Pressure Transducers:

Onset Part No.	Air Pressure Range	Output	Veris Part No.
T-VER-PX3UL	0-10" WC	4-20mA (or 0-5V/0-10V) representing 0 to 10" WC	PX3ULX05

This document provides instructions on connecting the Veris Differential Pressure Transducer listed above to each of the following:

- FlexSmart™ Analog Module used with HOBO H22 series data loggers
- Analog Sensor Port/Module used with HOBO U30 and RX3000 series data loggers
- Voltage adapter used with the U12 and UX120-006M data loggers and ZW series data nodes

It also lists configuration values used by HOBOWare® software to configure the logger for each transducer. **Note:** For information on connecting the differential pressure transducer to the pressure source, and other transducer details, refer to the documentation provided by Veris.

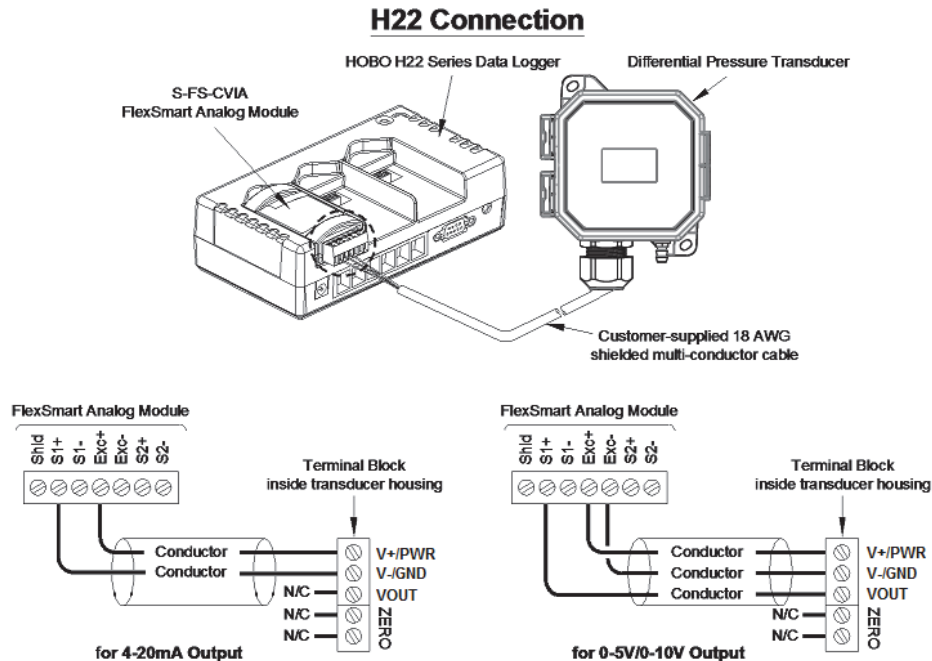


Veris Differential Pressure Transducer

## Required

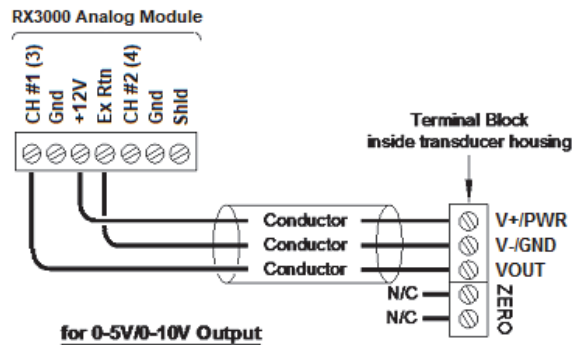
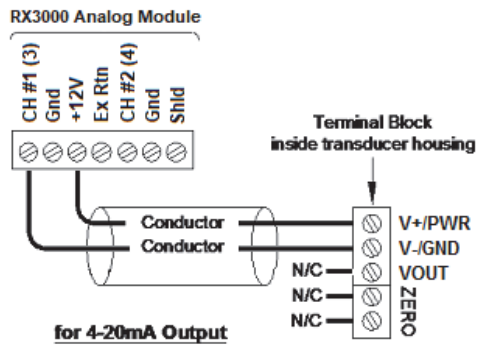
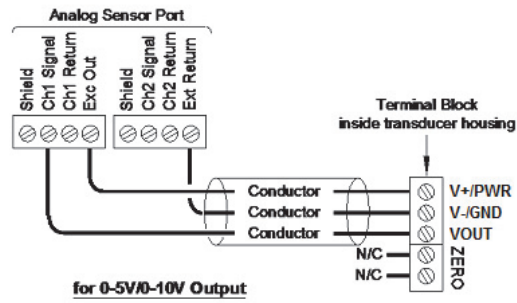
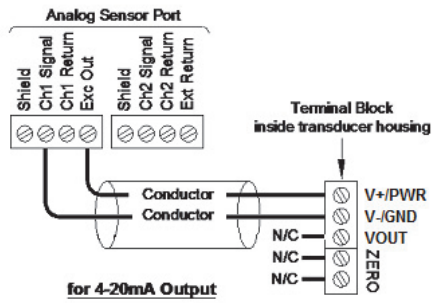
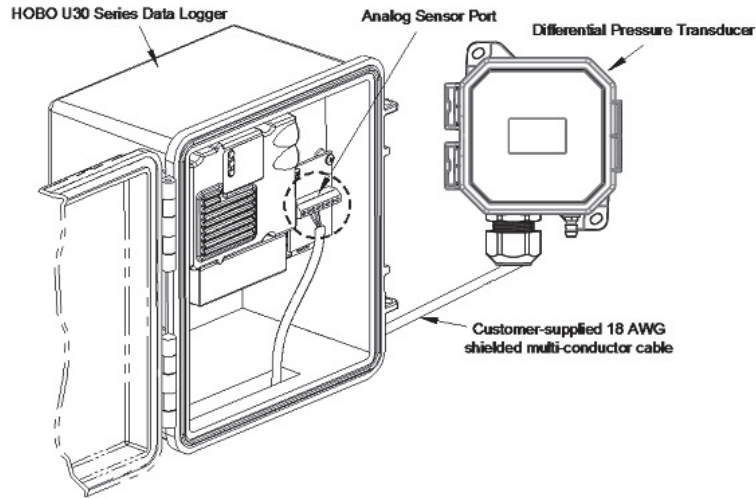
- Selected Veris Differential Pressure Transducer
- HOBO H22, U12, U30, UX120-006M, or RX3000 data logger, or HOBO ZW data node
- FlexSmart Analog Module, Onset Part No: S-FS-CVIA (for H22 series); Analog Sensor Port/Module option (for U30 and RX3000 series); voltage adapter, Onset Part No. CABLE-ADAP5 or CABLE-ADAP10 (for U12, UX120-006M, or ZW series)
- HOBOWare software, version 2.2.1 or higher (2.4.0 or higher for U30 series; 3.6 or higher for UX120-006M); HOBOWare Pro 3.0 or higher for ZW series
- HOBOLink (for RX3000 series data loggers)
- Customer-supplied length of 18 AWG, shielded, multi-conductor cable

## Connecting the Differential Pressure Transducer to the Analog Module or Port



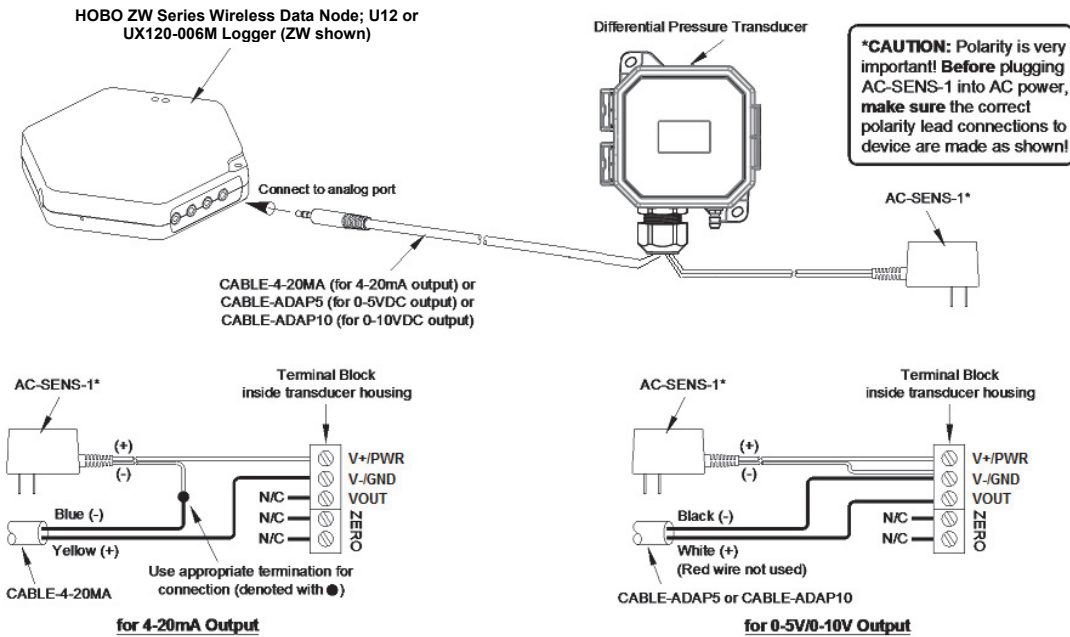
# Veris Differential Pressure Transducer Connection Instructions

## U30 or RX3000 Connection (U30 Shown)



## Veris Differential Pressure Transducer Connection Instructions

### ZW, U12, and UX120-006M Connection



#### **Configuring the Data Logger for the Differential Pressure Transducer using HOBOWare Software**

HOBOWare software provides configuration files for the transducers. The table below lists the recommended configuration values that these files contain. For information on loading configuration files, refer to the software documentation.

Onset Part Nos.	Channel Name	Warm-Up	Measurement Type	Raw Value 1	Raw Value 2	Raw Units	Scaled Value 1	Scaled Value 2	Scaled Units
T-VER-PX3UL	Diff Pressure	20 sec	Current	4	20	mA	0	0.1 (or 0.25, 0.5, 1, 2.5, 5, or 10)	in WC
			Voltage	0	5 (or 10)	V			
	Velocity	20 sec	Current	4	20	mA	0	500, 1000, 2000, 3000, 4000, 5000, 6000, or 7000	ft/min
			Voltage	0	5 (or 10)	V			

**Notes:**

- Excitation power provided by the FlexSmart Analog Module (Onset Part No. S-FS-CVIA) with H22; by the Analog Sensor Port/Module with U30 and RX3000; and by power adapter (Onset Part No. AC-SENS-1) with ZW, U12, or UX120-006M.
- Both differential pressure transducer models have switch-selectable ranges and scales, as listed.