

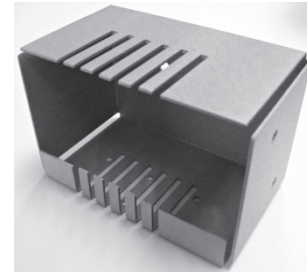
# Cable Caddy (M-CDY)

Items included:

- Cable Caddy;  
Dimensions: 15 cm W x 10 cm H x 9 cm D (6 x 4 x 3.5 in),  
Weight: 0.3 kg (11 oz)
- Two U-bolts, saddles, flanged nuts
- Four Cable ties
- Two Screws\*

Tool required:

- 1/2-inch socket wrench



## Installing the Cable Caddy

Mount the cable caddy to 4.1 cm (1.63 inch) diameter mast (mast not included) using the supplied U-bolt, saddle, and two flanged nuts. Refer to figure 1.

## Using the Cable Caddy

The cable caddy is a convenient way to help organize cables from sensors used with a HOB0® station. It also provides a convenient place to mount the Onset S-BPB barometric pressure sensor (not included). Refer to figure 2.

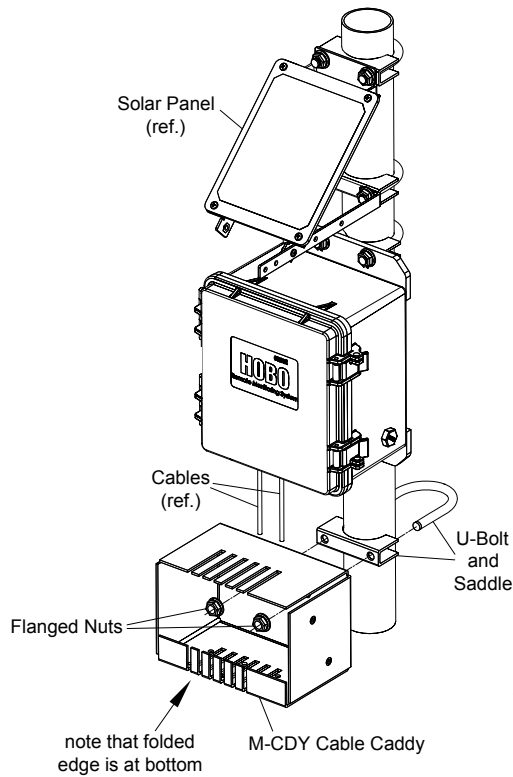


Figure 1: Installing the Cable Caddy

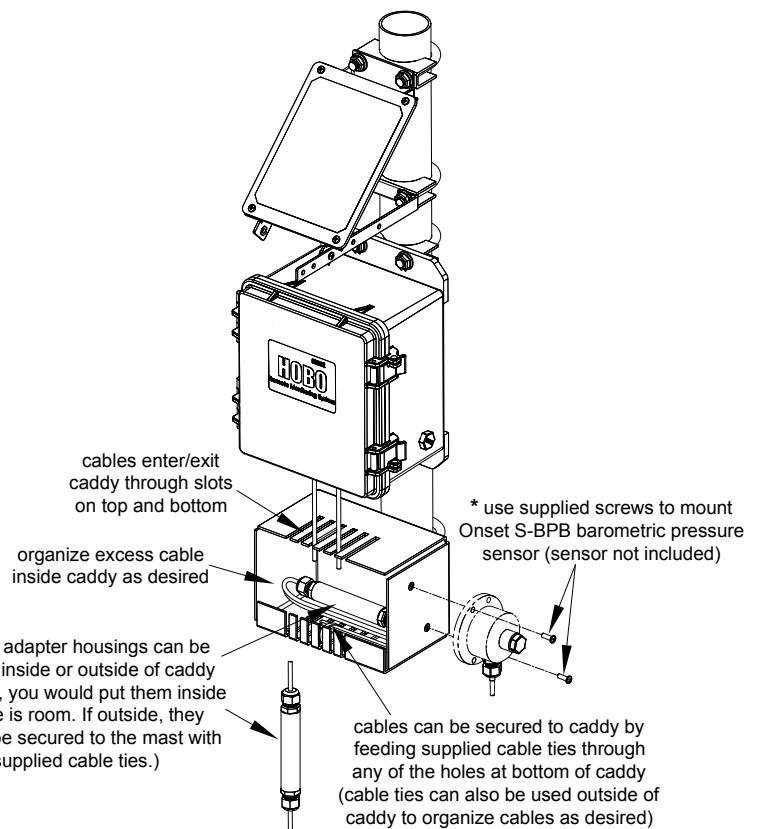


Figure 2: Using the Cable Caddy