

# Ashcroft® Pressure Transducer Connection Instructions

For use with HOBObare® H22, U12, U30, UX120-006M, MX1104, MX1105, and RX3000 data loggers and HOBObare ZW data nodes

## Applies to these Ashcroft Pressure Transducers:

Onset Part No.	Rating	Output	Ashcroft Part No.
T-ASH-G2-100	100 PSIG	0-5V representing 0 to 100 PSIG	G27M0205F2100#G-#4177
T-ASH-G2-200	200 PSIG	0-5V representing 0 to 200 PSIG	G27M0205F2200#G-#4177
T-ASH-G2-500	500 PSIG	0-5V representing 0 to 500 PSIG	G27M0205F2500#G-#4177

This document provides instructions on connecting the Ashcroft Pressure Transducers listed above to each of the following:

- FlexSmart™ Analog Module used with HOBObare H22 series data loggers
- Analog Sensor Port/Module used with HOBObare U30 and RX3000 series data loggers
- Voltage adapter used with the U12, UX120-006M, MX1104, and MX1105 data loggers and ZW series data nodes



Ashcroft Pressure Transducer

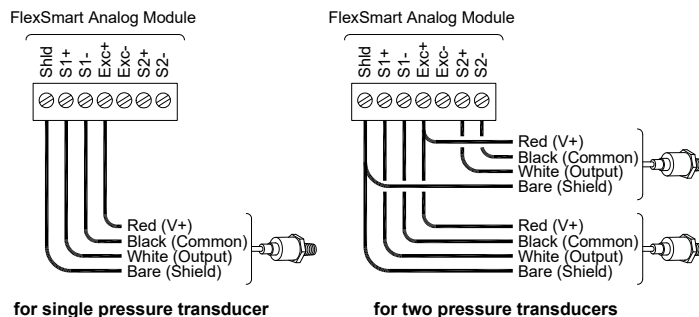
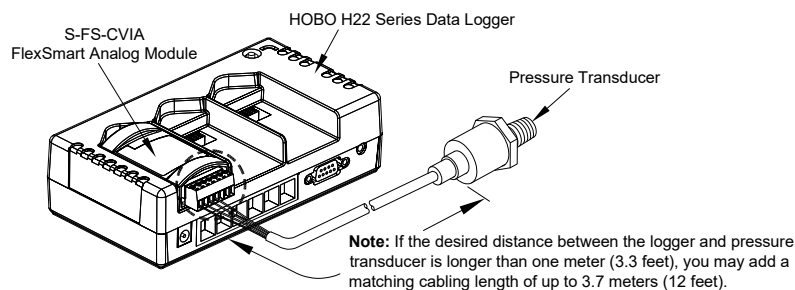
It also lists configuration values used by HOBObare software to configure the logger for each transducer. **Note:** For information on connecting the pressure transducer to the pressure source and other transducer details, refer to the documentation provided by Ashcroft.

## Required

- Selected Ashcroft Pressure Transducer
- H22, U12, U30, UX120-006M, MX1104, MX1105, or RX3000 data logger, or HOBObare ZW data node
- FlexSmart Analog Module, S-FS-CVIA (for H22 series); Analog Sensor Port/Module option (for U30 and RX3000 series); voltage adapter, CABLE-ADAP5 (for U12, UX120-006M, MX1104, MX1105, or ZW series) or SD-VOLT-05 (for MX1104 and MX1105)
- HOBObare® software, version 2.2.1 or higher for H22 or U12; 2.4.0 or higher for U30 series; 3.6 or higher for UX120-006M; HOBObare Pro 3.0 or higher for ZW series
- HOBObareconnect™ for MX1104 and MX1105
- HOBObarelink® for RX3000 series data loggers

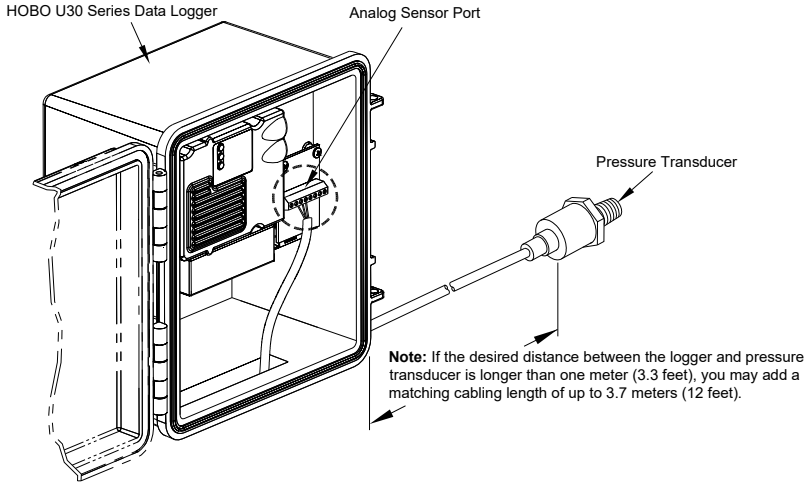
## Connecting the Pressure Transducer to the Analog Module or Port

### H22 Connection

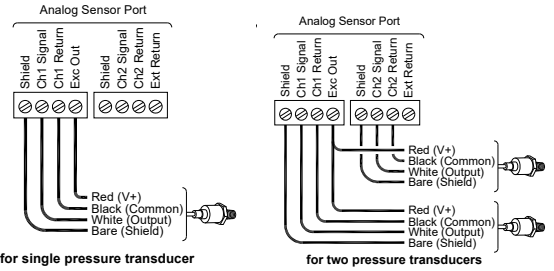


# Ashcroft Pressure Transducer Connection Instructions

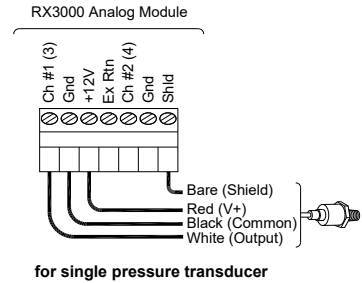
## U30 or RX3000 Connection (U30 shown)



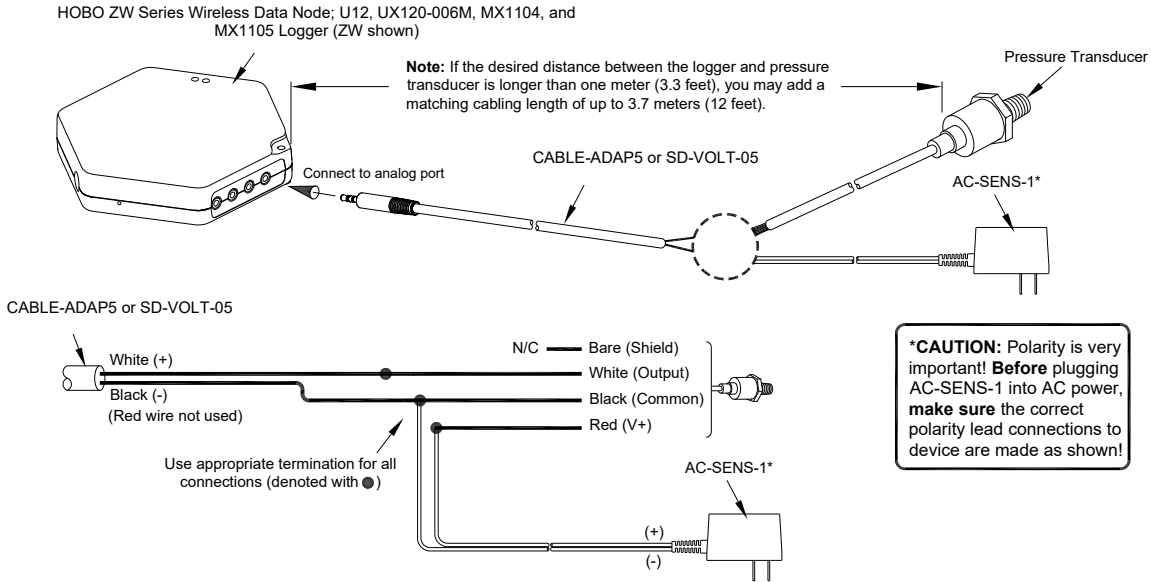
### U30 Connection



### RX3000 Connection



## ZW, U12, UX120-006M, MX1104, and MX1105 Connection



## Configuring the Data Logger for the Pressure Transducer using HOBOWare Software

HOBOWare software provides configuration files for the transducers. The table below lists the recommended configuration values for each transducer that these files contain. For information on loading configuration files, refer to the software documentation.

**Note:** You can also use these values when configuring scaling in HOBOLink or HOBOLink.

Onset Part No.	Channel Name	Warm-Up*	Measurement Type	Raw Value 1	Raw Value 2	Raw Units	Scaled Value 1	Scaled Value 2	Scaled Units
T-ASH-G2-100	Pressure	0.03 sec	Voltage	0	5	V	0	100	PSIG
T-ASH-G2-200	Pressure	0.03 sec	Voltage	0	5	V	0	200	PSIG
T-ASH-G2-500	Pressure	0.03 sec	Voltage	0	5	V	0	500	PSIG

\* Excitation power provided by the FlexSmart Analog Module (S-FS-CVIA) with H22; by the Analog Sensor Port/Module with U30 and RX3000; and by power adapter (AC-SENS-1) with ZW, U12, UX120-006M, MX1104, or MX1105.