

Veris 480 Volt, 100 Amp, 3-Phase kW Power Transducer Connection Instructions

For use with HOBO® H22, U12, U30, UX120-006M, and RX3000 data loggers and HOBO ZW data nodes

Applies to this Veris kW Power Transducer:

Onset Part No.	Rating	Output	Veris Part No.
T-VER-8044-100	208-480 Volt, 100 Amp	4-20mA representing 0 to 83.14 kW	8044-0100-2



Installing transducer in an energized electrical enclosure or on any energized conductor can result in severe injury or death. This transducer is for installation by qualified personnel only. To avoid electrical shock, do not perform any installation or servicing of this transducer unless you are qualified to do so. Disconnect and lock-out all power sources during installation and servicing. Please read transducer user's manual for instructions and use.

This document provides instructions on connecting the Veris kW Power Transducer listed above to each of the following:

- FlexSmart™ Analog Module used with HOBO H22 series data loggers
- Analog Sensor Port/Module used with HOBO U30 and RX3000 series data loggers
- 4-20mA cable used with the U12 and UX120-006M data loggers and ZW series data nodes

It also lists configuration values used by HOBOWare® software to configure the logger for the transducer. **Note:** For information on connecting the kW power transducer to the power source, and other transducer details, refer to the documentation provided by Veris.



Veris kW Power Transducer

Required:

- Veris kW Power Transducer listed above
- HOBO H22, U12, U30, UX120-006M, or RX3000 data logger, or HOBO ZW data node
- FlexSmart Analog Module, Onset Part No: S-FS-CVIA (for H22 series); Analog Sensor Port/Module option (for U30 and RX3000 series); 4-20mA cable, Onset Part No. CABLE-4-20mA (for U12, UX120-006M, or ZW series)
- HOBOWare software, version 2.2.1 or higher (2.4.0 or higher for U30 series; 3.6 or higher for UX120-006M); HOBOWare Pro 3.0 or higher for ZW series
- HOBOLink (for RX3000 series data loggers)
- Customer-supplied length of 18 AWG, shielded, twisted pair cable (Belden 1120A or equivalent recommended)

Configuring the Data Logger for the kW Power Transducer using HOBOWare Software

HOBOWare software provides a configuration file for the transducer. To load this configuration file, follow the steps below. For additional information on configuration files, refer to the software documentation.

Channel Name	Warm Up	Measurement Type	Raw Value 1	Raw Value 2	Raw Units	Scaled Value 1	Scaled Value 2	Scaled Units
Power	0.1 sec	Current	4	20	mA	0	83.14	kW

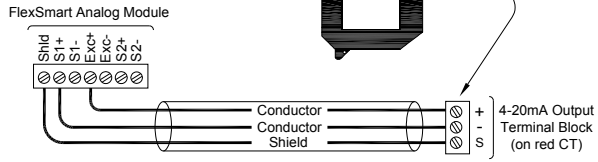
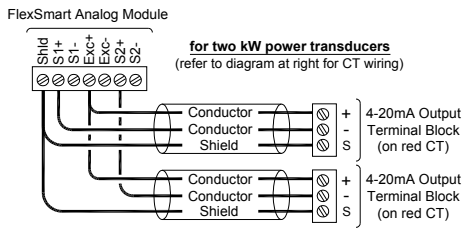
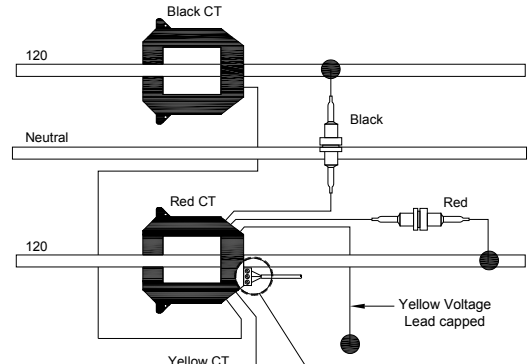
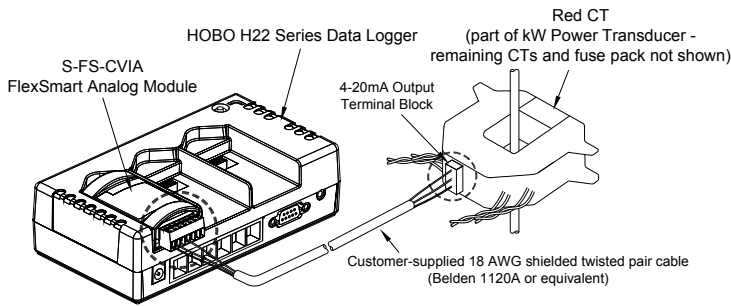
Note: Excitation power provided by the FlexSmart Analog Module (Onset Part No. S-FS-CVIA) with H22; by the Analog Sensor Port/Module with U30 and RX3000; and by power adapter (Onset Part No. AC-SENS-1) with ZW, U12, or UX120-006M.

Veris 480 Volt, 100 Amp, 3-Phase kW Power Transducer Connection Instructions

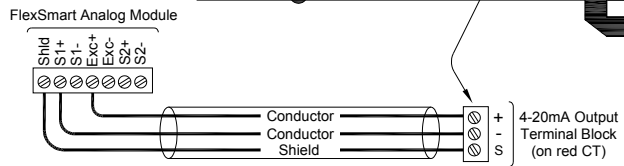
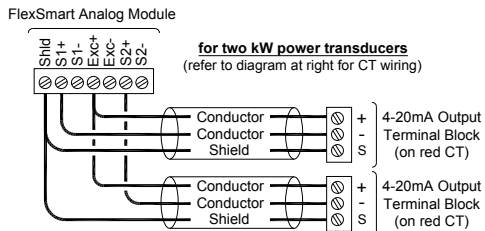
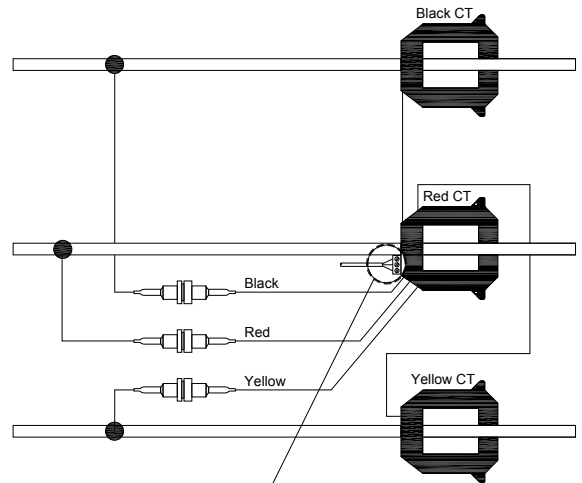
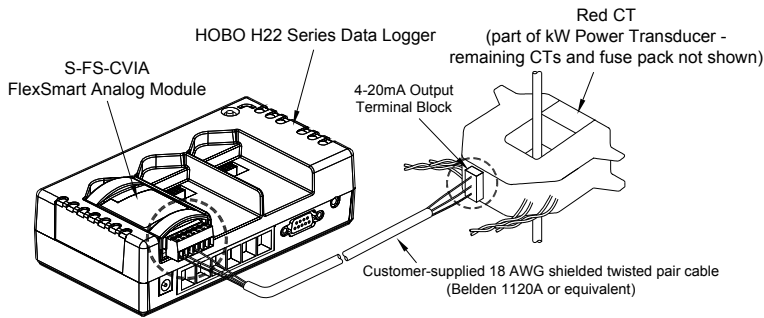
Connecting the Veris kW Power Transducer to the Analog Module or Port

See the following pages for applicable connection diagrams that correspond to your electrical power configuration.

H22 Typical 240 VAC Single-Phase Three-Wire Connection

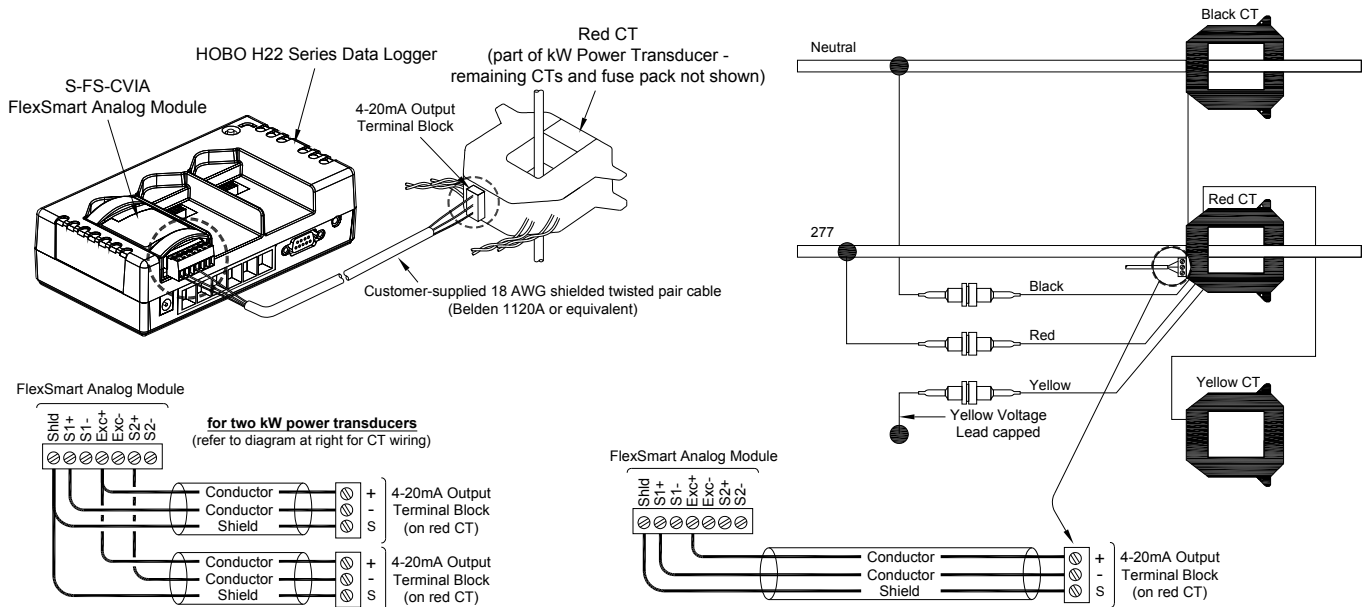


H22 Typical 208 or 480 VAC Three-Phase Three/Four-Wire Connection

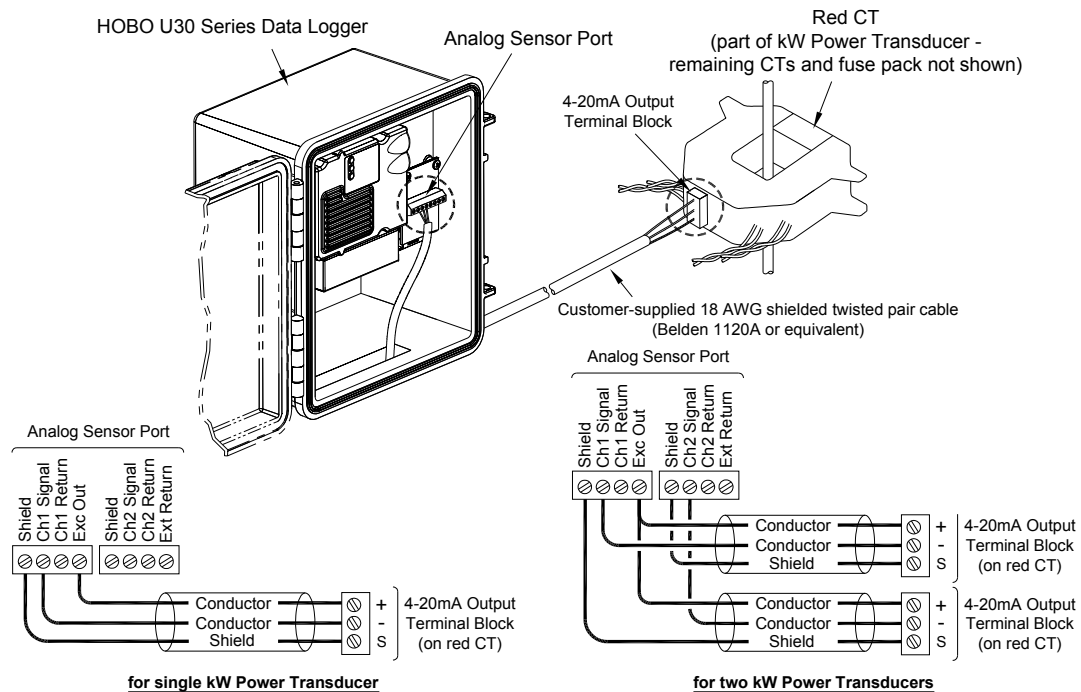


Veris 480 Volt, 100 Amp, 3-Phase kW Power Transducer Connection Instructions

H22 Typical 277 VAC Single-Phase Two-Wire Connection



U30 or RX3000 Connection (U30 shown) (also refer to the appropriate CT wiring diagram in the H22 connection section for your particular electrical power configuration)

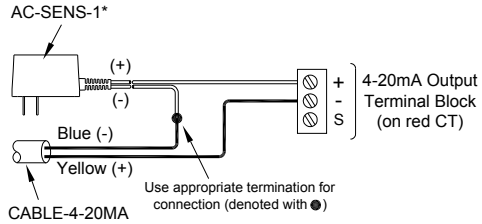
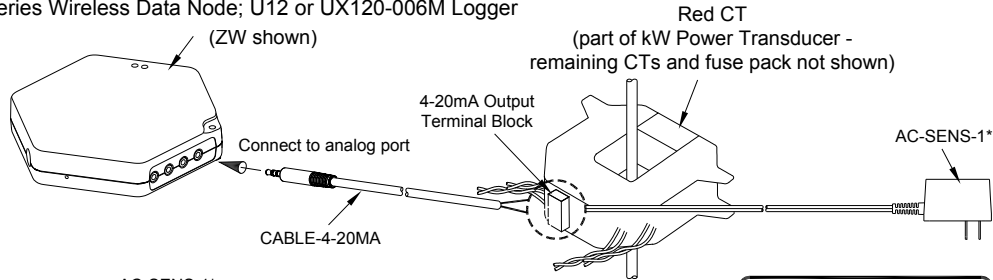


Veris 480 Volt, 100 Amp, 3-Phase kW Power Transducer Connection Instructions

ZW, U12, and UX120-006M Connection

(also refer to the appropriate CT wiring diagram in the H22 connection section for your particular electrical power configuration)

HOBO ZW Series Wireless Data Node; U12 or UX120-006M Logger
(ZW shown)



***CAUTION:** Polarity is very important! **Before** plugging AC-SENS-1 into AC power, **make sure** the correct polarity lead connections to device are made as shown!