

# Magnelab AC Potential Transformer (PT) Connection Instructions

For use with HOBO<sup>®</sup> H22, U30, and RX3000 Series Data Loggers

## Applies to these Magnelab AC Potential Transformers:

Onset Part No.	Max. Input Voltage	Output	Magnelab Part No.
T-MAG-SPT-150	150 Volts AC	0-333mV AC representing 0 to 115 Volts AC	SPT-0375-150
T-MAG-SPT-300	300 Volts AC	0-333mV AC representing 0 to 230 Volts AC	SPT-0375-300
T-MAG-SPT-600	600 Volts AC	0-333mV AC representing 0 to 460 Volts AC	SPT-0375-600



Installing PTs in an energized electrical enclosure or on any energized conductor can result in severe injury or death. These PTs are for installation by qualified personnel only. To avoid electrical shock, do not perform any installation or servicing of these PTs unless you are qualified to do so. Disconnect and lock-out all power sources during installation and servicing.

This document provides instructions on connecting the Magnelab PTs listed above to the FlexSmart<sup>™</sup> TRMS Module used with HOBO H22, U30, or RX3000 series data loggers. It also lists configuration values used by HOBOWare<sup>®</sup> software to configure the logger for each PT.

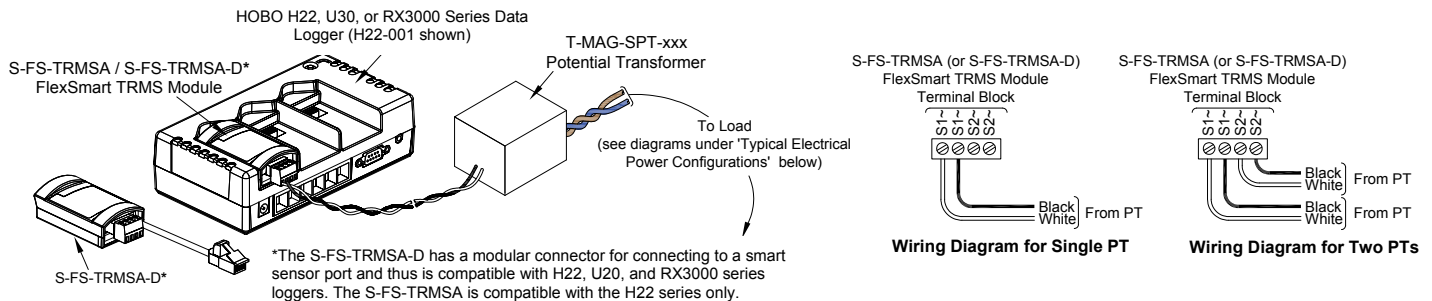
### Required

- Selected Magnelab PT(s)
- HOBO H22, U30, or RX3000 series data logger
- FlexSmart TRMS Module(s), Onset Part No: S-FS-TRMSA (for H22 series only) or S-FS-TRMSA-D (for H22 and U30 series)
- HOBOWare software, version 2.2.1 or higher (2.4.0 or higher for U30 series)
- HOBOLink (for RX3000 series data loggers)

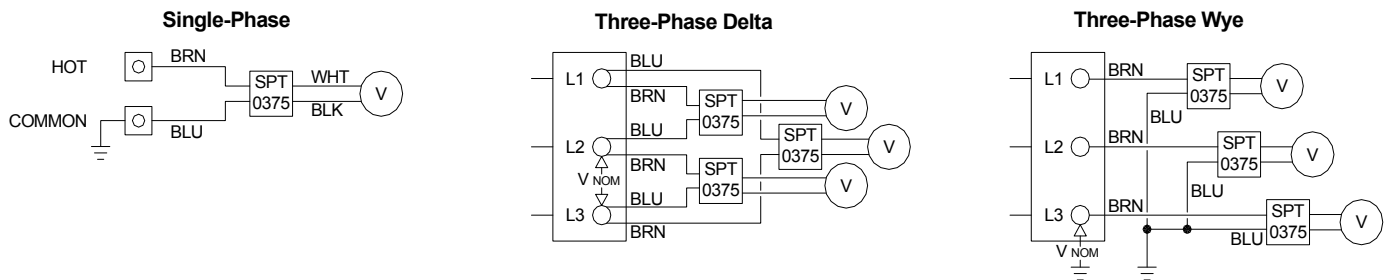


Magnelab AC Potential Transformer

### Connecting the PT to the FlexSmart TRMS Module



### Typical Electrical Power Configurations



### Configuring the Data Logger for the PT using HOBOWare Software

**Note:** HOBOWare software provides configuration files for the PTs. The table below lists the recommended configuration values for each PT that these files contain. For information on loading configuration files, refer to the software documentation.

Onset Part No.	Channel Name	Raw Value 1 (mV)	Raw Value 2 (mV)	Scaled Value 1	Scaled Value 2	Scaled Units
T-MAG-SPT-150	Voltage	0	333	0	115	VAC
T-MAG-SPT-300	Voltage	0	333	0	230	VAC
T-MAG-SPT-600	Voltage	0	333	0	460	VAC