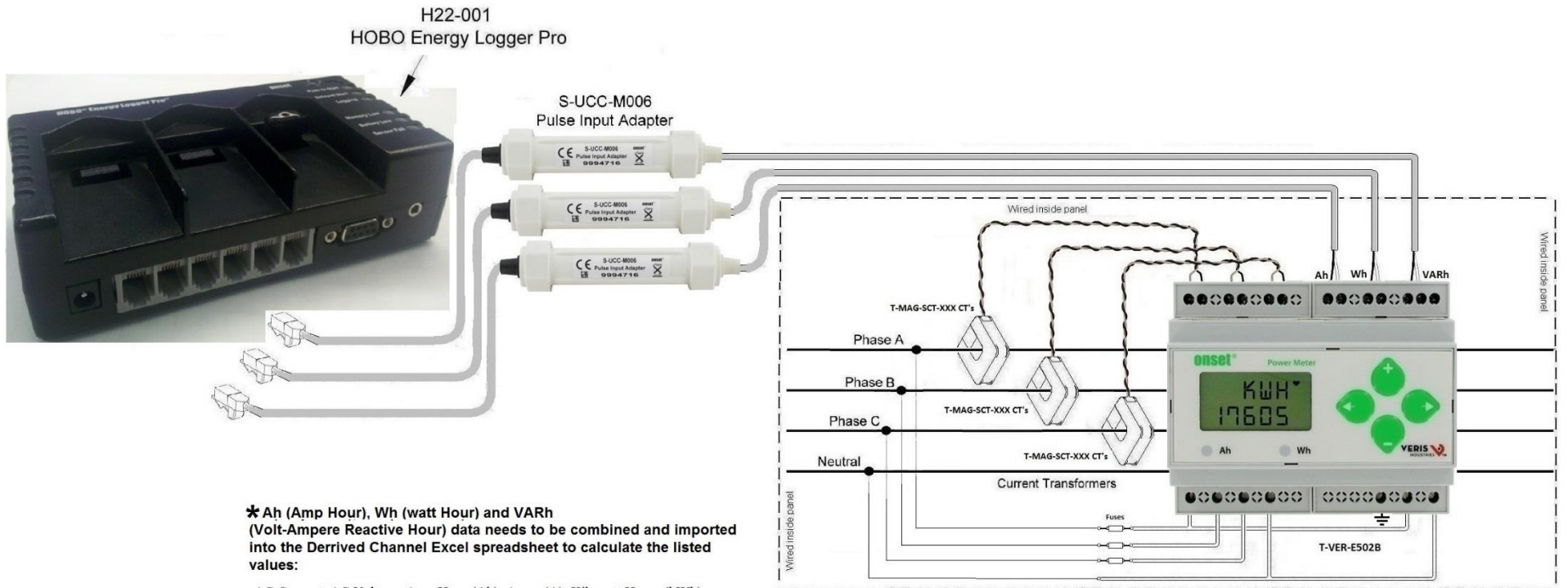


## Wiring Diagram



**\* Ah (Amp Hour), Wh (watt Hour) and VARh (Volt-Ampere Reactive Hour) data needs to be combined and imported into the Derived Channel Excel spreadsheet to calculate the listed values:**

AC Current, AC Voltage, Amp Hour (Ah), Amps (A), Kilowatt Hours (kWh), Kilowatts (kW), Power Factor (PF), Volt-Amp Reactive (VAR), Volt-Amp Reactive Hour (VARh), Volt-Amps (VA), Volts (V), Watt Hours (Wh), Watts (W)

CT labels oriented towards power source

3PhkWhPF