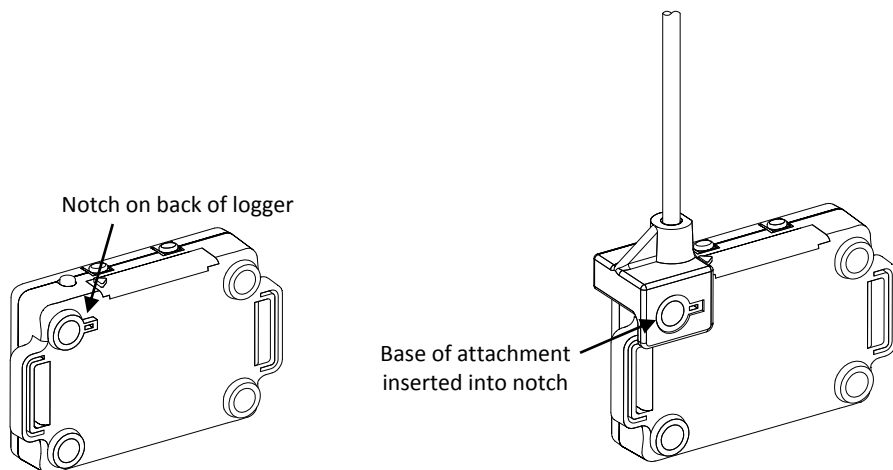


## 1-Foot Fiber Optic Attachment (UX90-LIGHT-PIPE-1)

### For UX90-002x, -005x, -006x Loggers

---

The fiber optic attachment (light pipe) connects to the back of the logger. Locate the notch in the upper left corner next to the mounting magnet. Insert the black base of the attachment into the notch so that the base clips onto the corner of the logger as shown below.



#### Deployment Guidelines

Follow these tips for successful deployment:

- Make sure the end of the light pipe is as close to the light source as possible.
- Maximize the signal strength on the logger LCD screen by adjusting the light pipe while looking at the signal bars.
- Be sure to secure the light pipe after the signal has been optimized.
- Do not support the logger by the light pipe.
- Be sure that the pipe is seated all the way into the bracket before deployment.