

Veris DC Current Bi-Polar Transducer (CT) Connection Instructions

For use with HOBOb® H22, U12, U30, UX120-006M, MX1104, MX1105, and RX3000 data loggers and HOBOb ZW data nodes

Applies to this Veris CT:

Onset Part No.	Current Range	Output	Veris Part No.
T-VER-971BP-200	0±200 Amps DC	Bi-polar 4-20mA -200 to +200 Amp	H971



Installing CT in an energized electrical enclosure or on any energized conductor can result in severe injury or death. This CT is for installation by qualified personnel only. To avoid electrical shock, do not perform any installation or servicing of this CT unless you are qualified to do so. Disconnect and lock-out all power sources during installation and servicing. Please read transducer user's manual for instructions and use.

This document provides instructions on connecting the Veris CT listed above to each of the following:

- FlexSmart™ Analog Module used with HOBOb H22 series data loggers
- Analog Sensor Port/Module used with HOBOb U30 and RX3000 series data loggers
- Voltage adapter used with the U12, UX120-006M, MX1104, and MX1105 data loggers and ZW series data nodes

It also lists configuration values used by HOBOb software to configure the logger for CT.

Required:

- Veris CT listed above
- HOBOb H22, U12, U30, UX120-006M, MX1104, MX1105, or RX3000 data logger, or HOBOb ZW data node
- FlexSmart Analog Module, S-FS-CVIA (for H22 series); Analog Sensor Port/Module option (for U30 and RX3000 series); 4-20mA cable, CABLE-4-20mA (for U12, UX120-006M, MX1104, MX1105, or ZW series) or SD-MA-420 (for MX1104 or MX1105)
- HOBObware® software, version 2.2.1 or higher for H22 or U12; 2.4.0 or higher for U30 series; 3.6 or higher for UX120-006M; HOBObware Pro 3.0 or higher for ZW series
- HOBObconnect™ for MX1104 and MX1105
- HOBOblink® for RX3000 series data loggers
- Customer-supplied lengths of hook-up wire

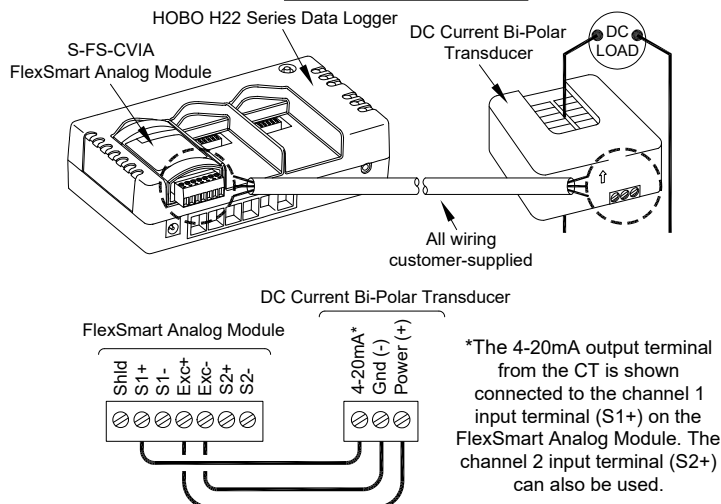


Veris DC Current Bi-Polar Transducer

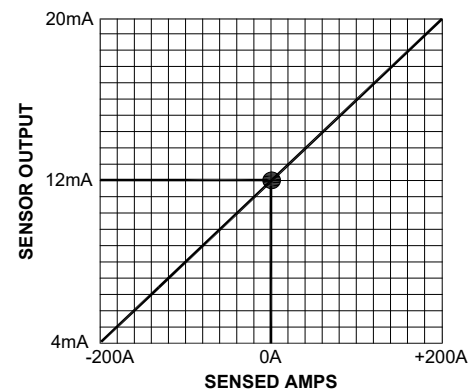
Connecting the CT to the Analog Module or Port

Choose a location for the sensor. The monitored conductor must pass through the iris, and the sensor must be at least 1/2 inch from any conductors as enclosure can reach 87°C during operation (at 60°C ambient temperature).

H22 Connection

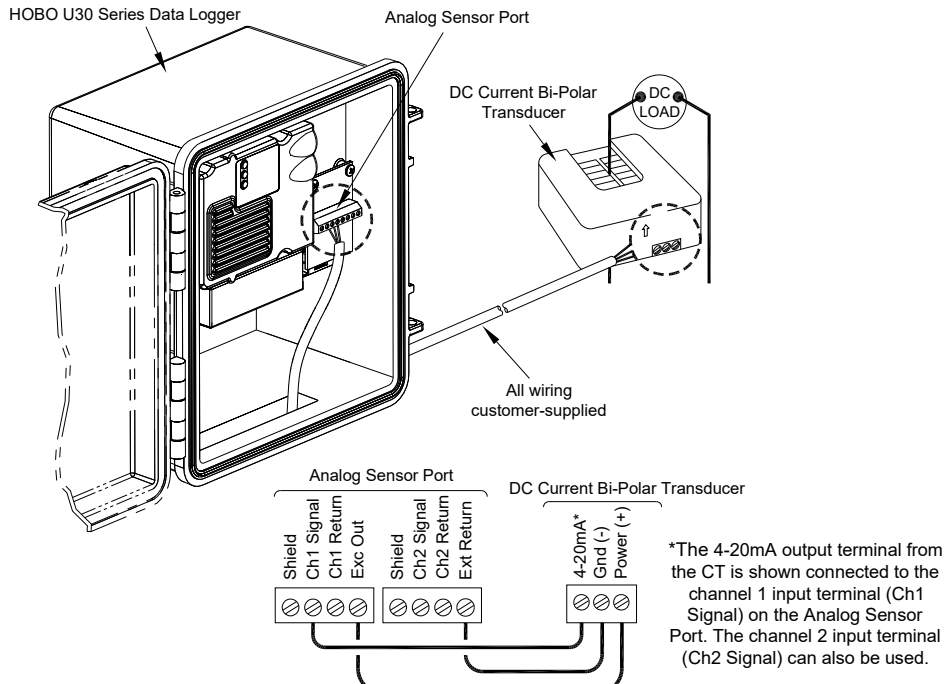


Scaling



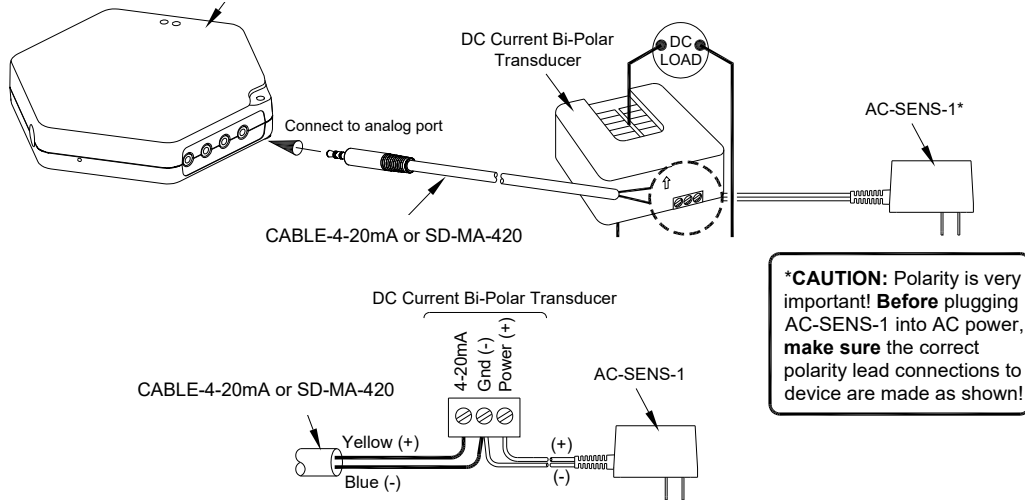
Veris DC Current Bi-Polar Transducer (CT) Connection Instructions

U30 or RX3000 Connection (U30 Shown)



ZW, U12, UX120-006M, MX1104, and MX1105 Connection

HOBO ZW Series Wireless Data Node; U12, UX120-006M, MX1104, and MX1105 Logger (ZW shown)



Configuring the Data Logger for the CT using HOBO Software

Use the following recommended scaling values in the software:

Channel Name	Raw Value 1	Raw Value 2	Scaled Value 1	Scaled Value 2	Scaled Units	Min. Warm-up Time
Current	4mA	20mA	-200	200	A	8-10 sec.

Notes:

- The CT requires 12-24VDC @ 35 to 110 mA excitation power depending on DC current load. Power can be supplied by the FlexSmart Analog Module (S-FS-CVIA) with H22; by the Analog Sensor Port/Module with U30 and RX3000; and by power adapter (AC-SENS-1) with ZW, U12, UX120-006M, MX1104, or MX1105.
- For currents over 120 Amps, supply voltage to CT must be at least 15V to maintain accuracy.
- Refer to the software documentation for more details on setting up scaling.