

Conlab AC Voltage Transmitter Connection Instructions for use with HOBO® U12-006, U12-012, U12-013 Data Loggers

Applies to these Conlab AC Voltage Transmitters:

Onset Part No.	Max. Input Voltage	Input Frequency	Output	Conlab Part No.
T-CON-ACT-150	150 Volts AC	60 Hz	0-20mA representing 0 to 150 Volts AC	ACT-SV-150-20-I-2-S
T-CON-ACT-300	300 Volts AC	60 Hz	0-20mA representing 0 to 300 Volts AC	ACT-SV-300-20-I-2-S



Installing transmitters in an energized electrical enclosure or on any energized conductor can result in severe injury or death. These transmitters are for installation by qualified personnel only. To avoid electrical shock, do not perform any installation or servicing of these transmitters unless you are qualified to do so. Disconnect and lock-out all power sources during installation and servicing. Please read transmitter user manuals for instructions and use.

This document provides instructions on connecting the Conlab AC Voltage Transmitters listed above to a U12 series data logger with one or more external sensor inputs via a 4-20mA cable. It also lists recommended configuration values to use for each transmitter when setting scaled values and units using HOBOWare® software. **Note:** The Conlab transmitters are self-powered devices. For information on connecting the transmitters to the power source, and other transmitter details, refer to the documentation provided by Conlab.

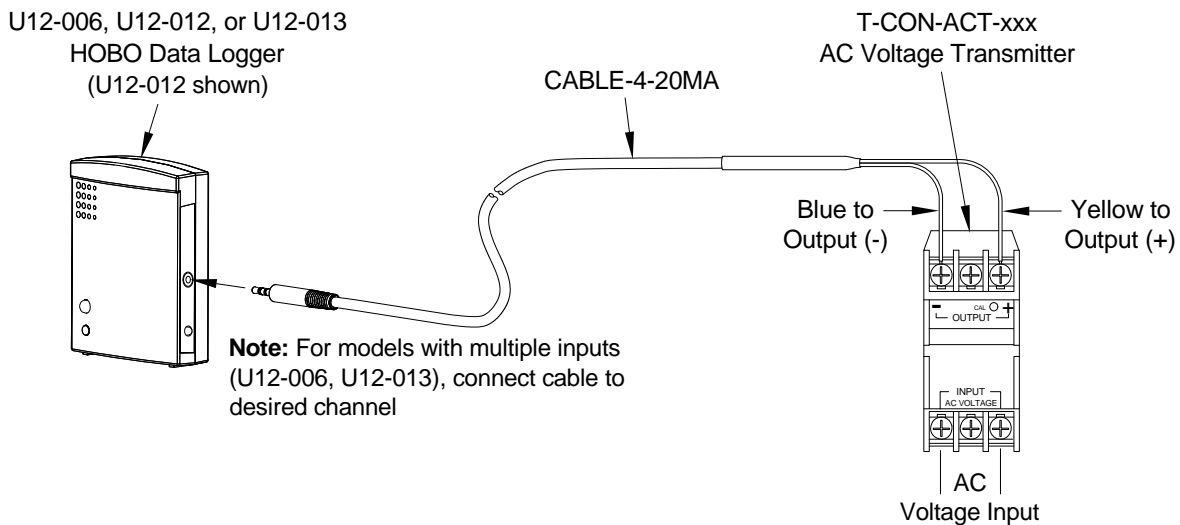


Conlab AC Voltage Transmitter

Required:

- Selected Conlab AC Voltage Transmitter
- HOBO External Input Data Logger, Onset Part No: U12-006, U12-012, or U12-013
- 4-20mA Input Cable, Onset Part No: CABLE-4-20MA
- HOBOWare Software

Connecting the AC Voltage Transmitter to the HOBO U12 Data Logger:



Configuring the HOBO U12 Data Logger for the AC Voltage Transmitter, using HOBOWare Software:

To set the scaled values and units for the transmitter at logger launch (recommended configuration values shown below), refer to the *HOBOWare User's Guide* for details.

Onset Part No:	Channel Name	Measurement Type	Raw Value 1	Raw Value 2	Raw Units	Scaled Value 1	Scaled Value 2	Scaled Units
T-CON-ACT-150	Voltage	Current	0	20	mA	0	150	VAC
T-CON-ACT-300	Voltage	Current	0	20	mA	0	300	VAC

Service and Support

HOBO products are easy to use and reliable. In the unlikely event that you have a problem with this instrument, contact the company where you bought the logger: Onset or an Onset Authorized Dealer. Before calling, you can evaluate and often solve the problem if you write down the events that led to the problem (are you doing anything differently?) and if you visit the Technical Support section of the Onset web site at www.onsetcomp.com/support.html. When contacting Onset, ask for technical support and be prepared to provide the product number and serial number for the logger and software version in question. Also completely describe the problem or question. The more information you provide, the faster and more accurately we will be able to respond.

Onset Computer Corporation
470 MacArthur Blvd., Bourne, MA 02532
Mailing: PO Box 3450, Pocasset, MA 02559-3450
Phone: 1-800-LOGGERS (1-800-564-4377) or 508-759-9500
Fax: 508-759-9100
E-mail: loggerhelp@onsetcomp.com
Internet: www.onsetcomp.com

Warranty

Onset Computer Corporation (Onset) is acting as a distributor of the sensor(s) or transducer(s) described in this document. Onset hereby transfers to the original end-user purchaser the warranty provided by the product manufacturer (**three years** from the date of original purchase). During the warranty period Onset will, at its option, either repair or replace products that prove to be defective in material or workmanship. This warranty shall terminate and be of no further effect at the time the product is (1) damaged by extraneous cause such as fire, water, lightning, etc. or not maintained in accordance with the accompanying documentation; (2) modified; (3) improperly installed; (4) repaired by someone other than Onset; or (5) used in a manner or purpose for which the product was not intended.

THERE ARE NO WARRANTIES BEYOND THE EXPRESSED WARRANTY ABOVE. IN NO EVENT SHALL ONSET BE LIABLE FOR LOSS OF PROFITS OR INDIRECT, CONSEQUENTIAL, INCIDENTAL, SPECIAL OR OTHER SIMILAR DAMAGES ARISING OUT OF ANY BREACH OF THIS CONTRACT OR OBLIGATIONS UNDER THIS CONTRACT, INCLUDING BREACH OF WARRANTY, NEGLIGENCE, STRICT LIABILITY, OR ANY OTHER LEGAL THEORY.

Limitation of Liability. The Purchaser's sole remedy and the limit of Onset's liability for any loss whatsoever shall not exceed the Purchaser's price of the product(s). The determination of suitability of products to the specific needs of the Purchaser is solely the Purchaser's responsibility. **THERE ARE NO WARRANTIES BEYOND THE EXPRESSED WARRANTY OFFERED WITH THIS PRODUCT. EXCEPT AS SPECIFICALLY PROVIDED IN THIS DOCUMENT, THERE ARE NO OTHER WARRANTIES EXPRESS OR IMPLIED, INCLUDING BUT NOT LIMITED TO, ANY IMPLIED WARRANTIES OF MERCHANTABILITY OR FITNESS FOR A PARTICULAR PURPOSE. NO INFORMATION OR ADVICE GIVEN BY ONSET, ITS AGENTS OR EMPLOYEES SHALL CREATE A WARRANTY OR IN ANY WAY INCREASE THE SCOPE OF THE EXPRESSED WARRANTY OFFERED WITH THIS PRODUCT.**

Indemnification. Products supplied by Onset are not designed, intended, or authorized for use as components intended for surgical implant or ingestion into the body or other applications involving life-support, or for any application in which the failure of the Onset-supplied product could create or contribute to a situation where personal injury or death may occur. Products supplied by Onset are not designed, intended, or authorized for use in or with any nuclear installation or activity. Products supplied by Onset are not designed, intended, or authorized for use in any aeronautical or related application. Should any Onset-supplied product or equipment be used in any application involving surgical implant or ingestion, life-support, or where failure of the product could lead to personal injury or death, or should any Onset-supplied product or equipment be used in or with any nuclear installation or activity, or in or with any aeronautical or related application or activity, Purchaser will indemnify Onset and hold Onset harmless from any liability or damage whatsoever arising out of the use of the product and/or equipment in such manner.

Returns

Please direct all warranty claims and repair requests to place of purchase.

Before returning a failed unit directly to Onset, you must obtain a Return Merchandise Authorization (RMA) number from Onset. You must provide proof that you purchased the Onset product(s) directly from Onset (purchase order number or Onset invoice number). Onset will issue an RMA number that is valid for 30 days. You must ship the product(s), properly packaged against further damage, to Onset (at your expense) with the RMA number marked clearly on the outside of the package. Onset is not responsible for any package that is returned without a valid RMA number or for the loss of the package by any shipping company. Loggers must be clean before they are sent back to Onset or they may be returned to you.

Repair Policy

Products that are returned after the warranty period or are damaged by the customer as specified in the warranty provisions can be returned to Onset with a valid RMA number for evaluation.

© 2007 Onset Computer Corporation. All rights reserved.

Manual Part No: MAN-CONLAB-U12

Doc No: 11742-B

Onset, HOBO, and HOBOWare are registered trademarks of Onset Computer Corporation. Other products and brand names may be trademarks or registered trademarks of their respective owners.